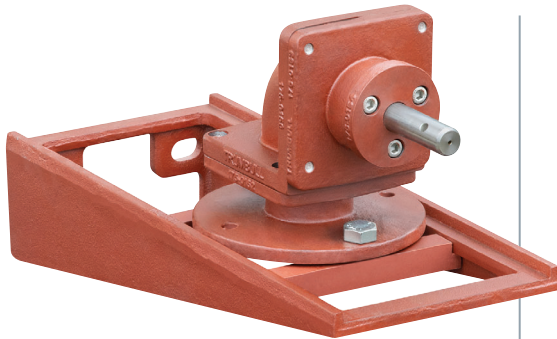


Wall Brackets

Designed to Accommodate a Variety of Different Applications

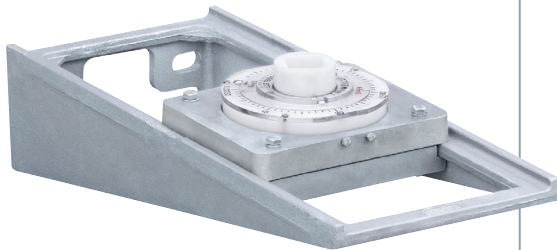
Trumbull Wall Brackets are used in conjunction with several of our other products such as Miter Gears, Valve Position Indicators, Pedestals, Floorstands and others. Cast from either ductile iron or 316 stainless steel. All ductile iron castings are coated with Tnemec N140-1211 epoxy (complies with NSF 61). Sold as kits with parts and hardware included to accommodate several other products, as shown below. Custom fabricated wall brackets also available upon request.



Miter Gear Applications

Kit includes Wall Bracket, Miter Gear MG1A, (2) clamps and hardware. Miter Gears shown on pages G-9 – G-10. Concrete anchors not included.

| Trumbull Item No. | Material | Adjustment Range (stem to wall) | Weight |
|-------------------|---------------|---------------------------------|----------|
| 367-2452 | Ductile Iron | 4-1/2" to 17-1/2" | [varies] |
| 367-2462 | 316 Stainless | 4-1/2" to 17-1/2" | [varies] |

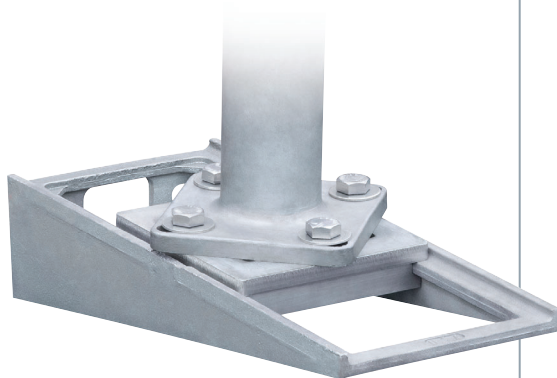


Valve Position Indicator Applications

US Patent No. 9,347,583 (See page F-9 for detailed illustration)

Kit includes Wall Bracket, Position Indicator Housing, (2) clamps and hardware. The Position Indicator is sold separately, shown on pages F-9 – F-10. Concrete anchors not included.

| Trumbull Item No. | Material | Adjustment Range (stem to wall) | Weight |
|-------------------|---------------|---------------------------------|----------|
| 367-2450 | Ductile Iron | 3-1/2" to 18" | [varies] |
| 367-2460 | 316 Stainless | 3-1/2" to 18" | [varies] |

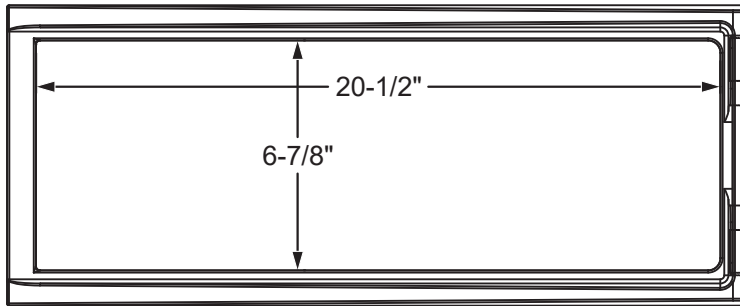
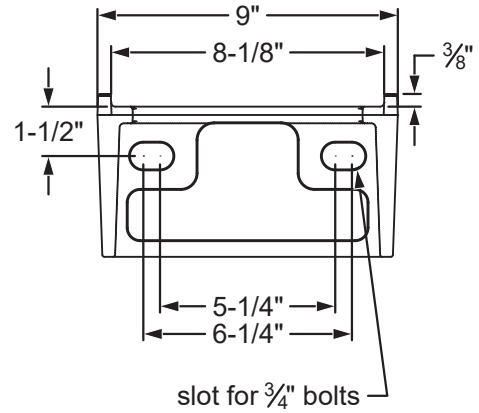
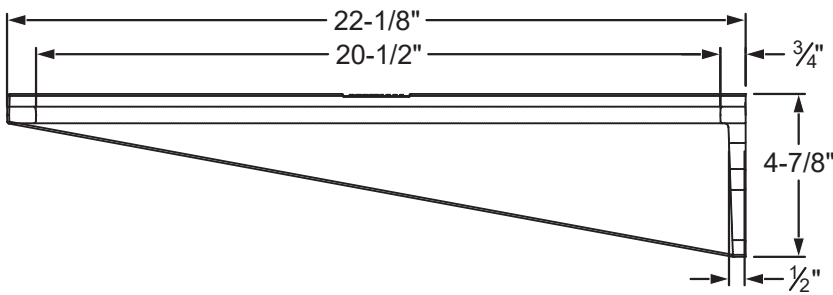


Floorstand / Pedestal Applications

Kit includes Wall Bracket, Mounting Plate, (2) clamps and hardware. The Floorstands and Pedestals are sold separately, shown on pages G-44 – G-52. Concrete anchors not included.

| Trumbull Item No. | Material | Adjustment Range (stem to wall) | Weight |
|-------------------|---------------|---------------------------------|----------|
| 367-2451 | Ductile Iron | 4-7/8" to 17-1/8" | [varies] |
| 367-2461 | 316 Stainless | 4-7/8" to 17-1/8" | [varies] |

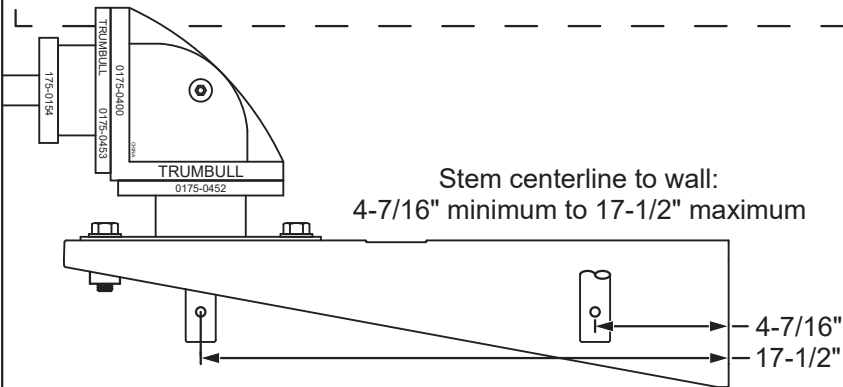
Wall Brackets are also used as a Larger Diameter Stem Guides, as shown on pages G-23 and G-24.



Wall Bracket Casting

Base unit, order with kits shown on the bottom of page

Wall Bracket (Ductile Iron) - #367-2440
Wall Bracket (Stainless) - #367-2426

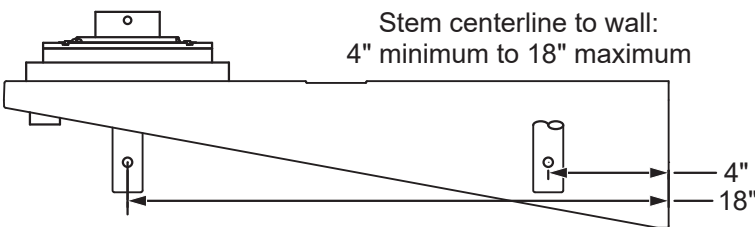


Wall Bracket with Miter Gear and Kit

Miter Gear Assembly included

Miter Gear/mounting kit (DI) - #367-2452
Miter Gear/mounting kit (SS) - #367-2462

Mounting kit includes clamps and fasteners

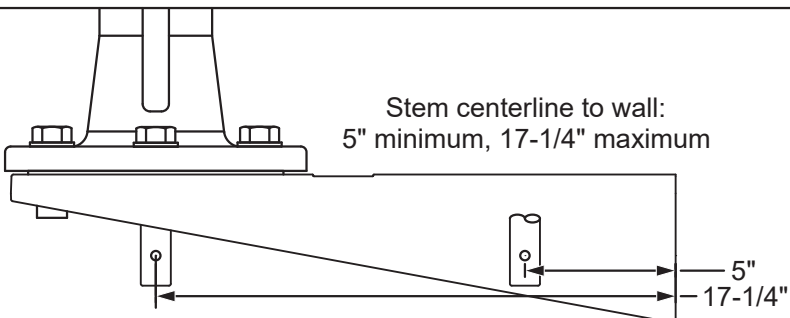


Wall Bracket with Position Indicator Kit

Position Indicator must be ordered separately

PI mounting kit (DI) - #367-2450
PI mounting kit (SS) - #367-2460

Mounting kit includes clamps and fasteners



Wall Bracket w/Floorstand Kit

Floorstand must be ordered separately

Floorstand mounting kit (DI) - #367-2451
Floorstand mounting kit (SS) - #367-2461

Mounting kit includes clamps and fasteners

WALL BRACKET and KITS
Drawn to Scale

Drawn:
FCN
08/23/99

Revision:
FCN
J 04/07/15

Trumbull Manufacturing, Inc.
Youngstown, Ohio
www.trumbull-mfg.com