

Wall-Type Hydrostatic Tank Pressure Relief Valves

QuadroSeal™ Gasket Design – Available in Ductile Iron and Type 316 Stainless Steel

Trumbull Wall-Type Tank Pressure Relief Valves are designed for installation in side walls of tanks of treatment plants. They are intended for low unseating pressure applications and will start to open at less than one foot of head to relieve groundwater pressure from the exterior of tank wall. For low seating applications, contact Trumbull.

Trumbull Relief Valves use two Neoprene seating surfaces so if particles of grit lodge on them, the head of liquid in the tank will force the valve closed.

The valve has a flanged body for use with a wall pipe. The flange drilling is according to ANSI 125# STD on both sizes. The Wall-Type valve uses a removable stainless steel hinge pin and two stainless cotter pins.



Wall-Type Pressure Relief Valves*

Size	Ductile Iron**		316 Stainless Steel	
	Domestic	Non-Domestic	Domestic	Non-Domestic
4"	1367-1572	367-1572	1367-1560	367-1560
6"	1367-1573	367-1573	1367-1564	367-1564

* For product weights, see drawing on Page G-38.

** Furnished with NSF-61, 2 part epoxy coating.

Wallpipes

Wallpipes are 18" long (overall) with a collar 6" from the face of the flange; they can be furnished cut-to-length to meet your requirements. The flange is tapped for studs to allow the flange on the Wallpipe to be set flush with the wall. No flange accessories will be furnished unless ordered separately. Wallpipe & Wall PRV sold separately. In order for the Wall-Type Valve to operate properly, it must be installed so that the bolt holes straddle the centerline.

Size	Ductile Iron		316 Stainless Steel
	Trumbull Item No.	Weight	
4"	367-1000	33.50 lbs.	When stainless valves are used, Wallpipes are furnished in ductile iron or fabricated from stainless pipe.
6"	367-1002	68.50 lbs.	

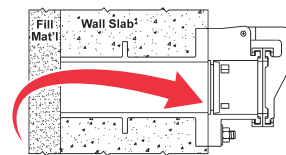
Floor-Type Pressure Relief Valves are shown on pages G-35 & G-36.

QUADROSEAL gaskets

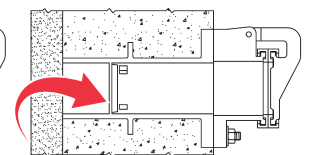
Unique square design of QuadroSeal™ Gasket surrounds casting on 4 sides to prevent separation.

QuadroSeal™ design also prevents metal-to-metal contact that can cause seating surfaces of iron valves to corrode into a "frozen shut" position. See page G-39 for more information.

Easy access to strainer helps prevent blockage of flow that could lead to structural tank damage. Wallpipes are frequently provided by ductile pipe suppliers and don't have strainers. The accumulation of debris on seating surfaces can lead to leakage from the tank. **To prevent that condition, specify a valve with an internal strainer.**



Strainer in **TRUMBULL** valve is easily accessed for maintenance



Strainer installation of other designs

Pressure Relief Valve, Wall Type
Flange drilling per ANSI 125#

Size	Flange	Bolt Circle	Bolt Hole	Seat O.D.	Bore
4"	9" x 7/16"	7-1/2"	3/4"	6"	4"
6"	11" x 1/2"	9-1/2"	7/8"	8"	6"

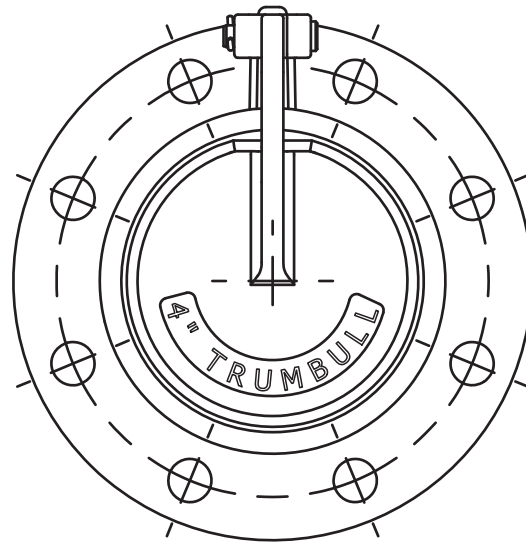
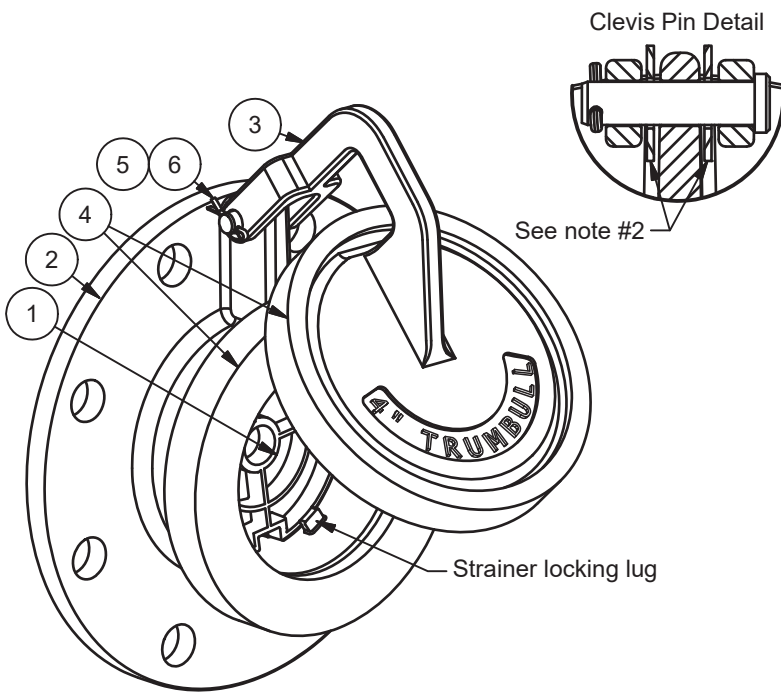
Item	Description	Material
1	Strainer	Stainless Steel (T316) or Ductile Iron (65-45-12)
2	Body	Stainless Steel (T316) or Ductile Iron (65-45-12)
3	Lid Flap	Stainless Steel (T316) or Ductile Iron (65-45-12)
4	QuadroSeal Seat	Neoprene (40 durometer)
5	Clevis Pin	Stainless Steel
6	Cotter Pin	Stainless Steel

Size	Material	Part Number	Weight
4"	DI	367-1550	14.25 lb
4"	SS	367-1560	14.65 lb
6"	DI	367-1570	21.45 lb
6"	SS	367-1564	22.05 lb

Note:

1.) Ductile Iron components are coated with Tnemec N140-1211 epoxy (complies with NSF 61).

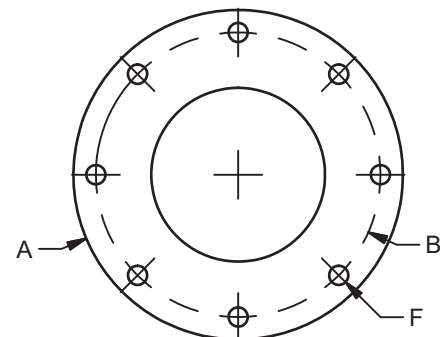
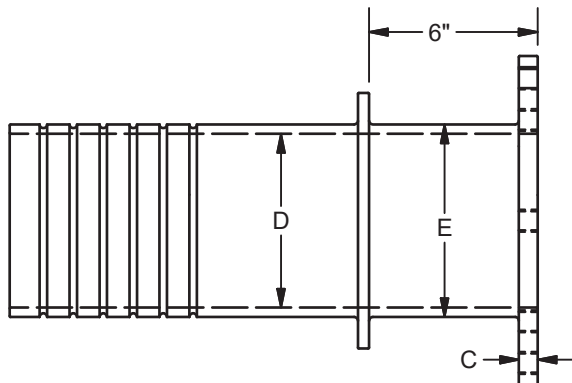
2.) Ductile Iron valves have Isolating washers made of UHMWPE installed on the Clevis pin between the lid and body, preventing metal to metal contact.



Size	Trumbull #	A	B	C	D	E	F	Weight
4"	367-1000	9"	7-1/2"	5/8"	4-3/16"	4.8"	5/8"-11 UNC	32 lbs
6"	367-1002	11"	9-1/2"	5/8"	6-5/16"	6-29/32"	3/4"-10 UNC	49 lbs

Wall Pipe

Flange drilling per ANSI 125#
Material: Ductile Iron (65-45-12)
Coating: Tnemec N140-1211 epoxy



TANK PRESSURE RELIEF VALVE
WALL TYPE
Drawn to Scale

Drawn:
BJE
01/07/13

Revision:
BJE
05/13/19

Trumbull Manufacturing, Inc.
Youngstown, Ohio
www.trumbull-mfg.com